

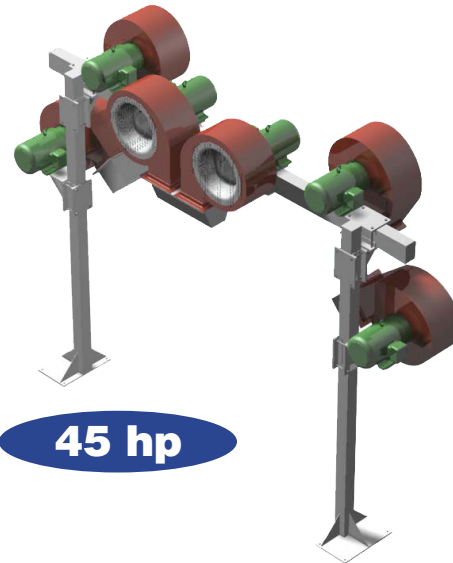


Dryers



30 / 40 hp

NuStar's 40 and 30 hp drying systems have been used for as long as NuStar has been manufacturing carwashes. The concept of "it's not how much air is blowing on the car, but is the air is properly directed". The 30 hp dryer configuration is 4 - 7.5 hp motors placed to give maximum coverage with the least amount of power consumption. The 40 hp dryer configuration is 4 - 10 hp motors placed to also give maximum coverage. All frames and housings are aluminum as in the 45 hp dryer with the anodized finish.

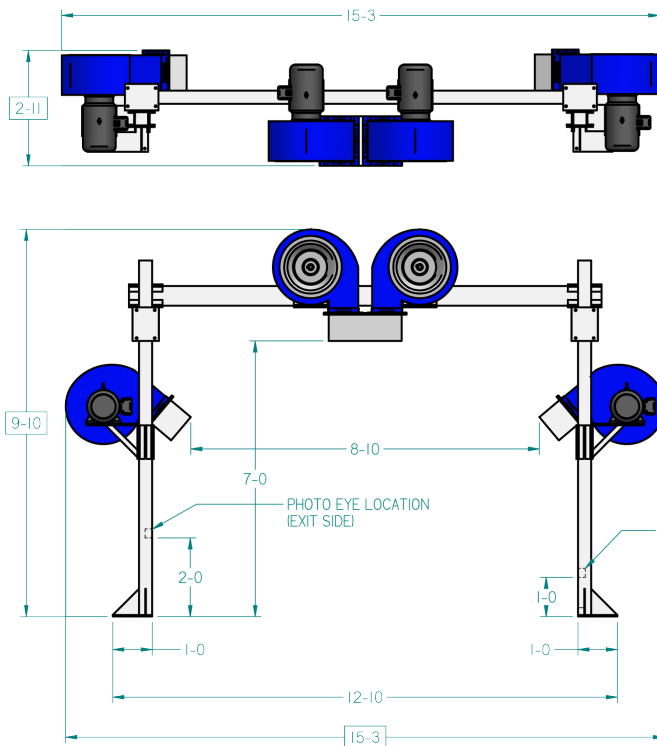


45 hp

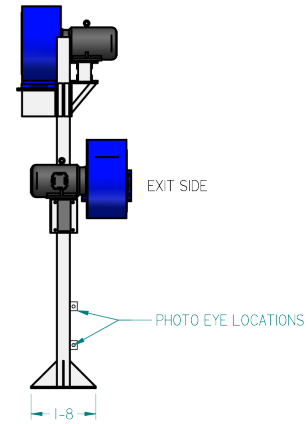
NuStar's 45 hp drying system is the most popular of the dryer models. The 7.5hp motors are strategically placed on the aluminum frame to give maximum coverage not only on cars that are traditionally lower but also on SUV and trucks. The aluminum frame allows for height adjustments up to 84 inches in height allowing any popular passenger vehicle. Multiple colored frame is also available. Each housing is also made of aluminum, which has an option to be anodized different colors to enhance the overall image of your carwash. Each vent is made of bright white plastic that gives a bright appearance throughout the life of the dryer.

	30 hp	40 hp	45 hp
Dryer Configuration	(4x) - 7.5 hp motors	(4x) - 10 hp motors	(6x) - 7.5 hp motors
Frame & Housing	Aluminum + Anodized color options available	Aluminum + Anodized color options available	Aluminum + Anodized color options available
Required Amps	460 volt - 75 amps 208/230 volt - 100 amps	460 volt - 75 amps 208/230 volt - 150 amps	460 volt - 75 amps 208/230 volt - 150 amps

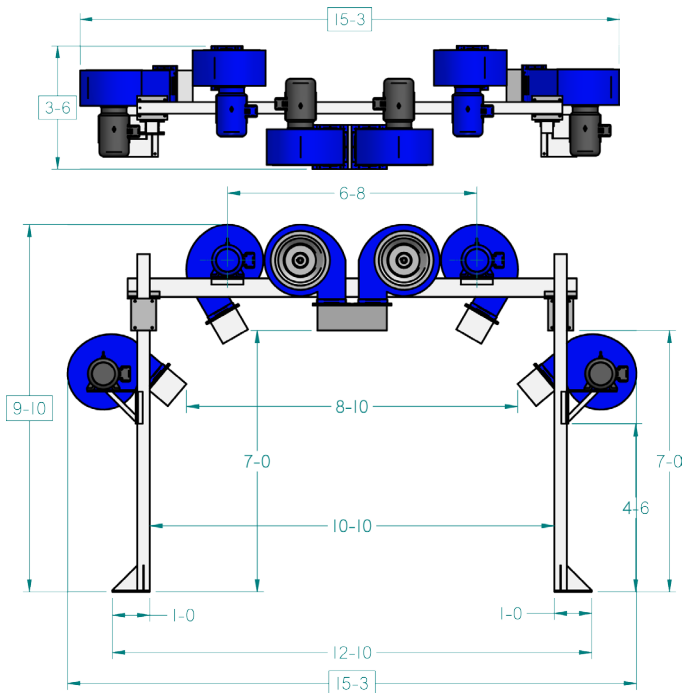
30/40 HP Dryers



Electrical requirements:
 230 VAC; 3 phase; 100, 150 amps
 460 VAC; 3 phase; 75 amps (optional)



45 HP Dryer



Electrical requirements:
 230 VAC; 3 phase; 150 amps
 460 VAC; 3 phase; 75 amps (optional)

